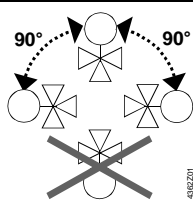


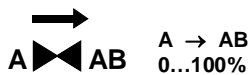
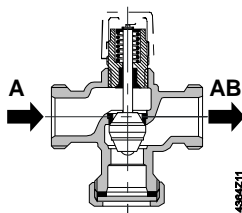
- de** Montageanleitung
- en** Mounting instructions
- fr** Instructions de montage
- sv** Monteringsinstruktion
- nl** Montage-aanwijzing
- it** Istruzioni di montaggio
- fi** Asennusohje
- es** Instrucciones de montaje
- da** Monteringsvejledning
- pl** Instrukcja montażu
- cz** Montážní návod
- hu** Szerelési útmutató
- el** Οδηγίες εγκατάστασης
- zh** 安裝指導

- Ventile PN16**
- Valves PN16**
- Vannes PN16**
- Ventiler PN16**
- Afsluiters PN16**
- Valvole PN16**
- Venttiilit PN16**
- Válvulas PN16**
- Ventiler PN16**
- Zawory PN16**
- Ventily PN16**
- Szelepek PN16**
- Βάνες PN16**
- 阀门 PN16**

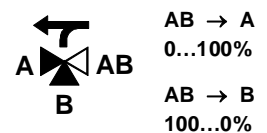
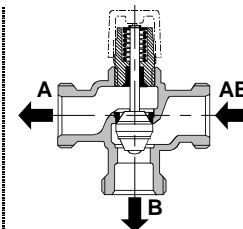
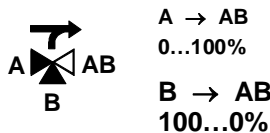
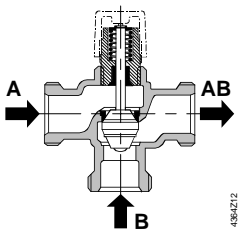
VVG44..
VXG44..



VVG44..



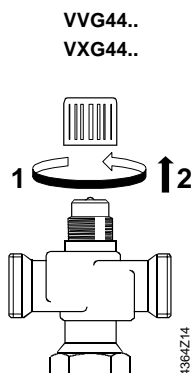
VXG44..



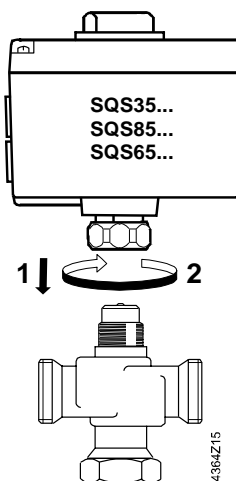
V..G44.. + SQS.. → 1...3

V..G44.. + SAS.. → 4...6

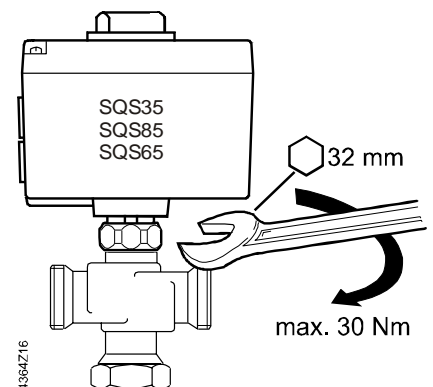
1



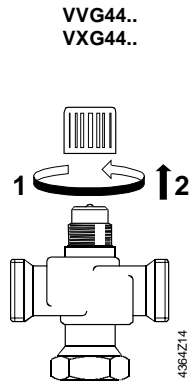
2



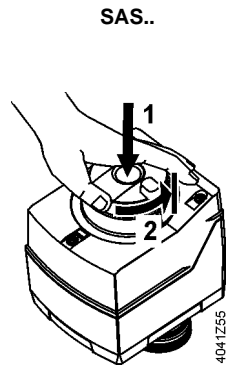
3



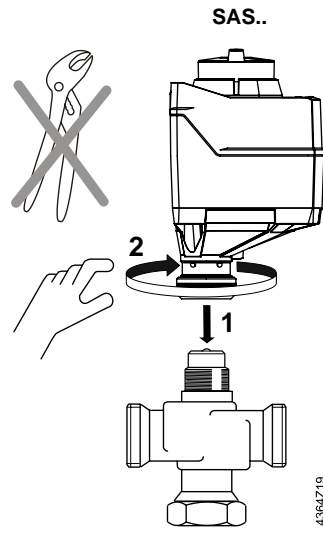
4



5



6



VVG44..		DN	B	G	L1	L2	L3	H1	H2			
			[mm]	["]	[mm]	[mm]	[mm]	[mm]	[mm]			
		VVG44.15-0.25	15	8.5	G1B	100	50	58	45	55	0.65	
		VVG44.15-0.4							49	59		0.67
		VVG44.15-0.63										
		VVG44.15-1										
		VVG44.15-1.6										
		VVG44.15-2.5										
VVG44.15-4	12	53	63	0.77								
VVG44.20-6.3	20				9	G1¼B	59	68	78	1.00		
VVG44.25-10	25				11	G1½B	105	52.5	62.5	71	81	1.48
VVG44.32-16	32	G2B	63.5	77.5		87.5			1.95			
VVG44.40-25	40	G2½B	76	80.5		90.5			2.75			

VXG44..		DN	B	G	L1	L2	L3	H1	H2			
			[mm]	["]	[mm]	[mm]	[mm]	[mm]	[mm]			
		VXG44.15-0.25	15	8.5	G1B	100	50	50	45	55	0.55	
		VXG44.15-0.4							49	59		0.59
		VXG44.15-0.63										
		VXG44.15-1										
		VXG44.15-1.6										
		VXG44.15-2.5										
VXG44.15-4	12	53	63	0.67								
VXG44.20-6.3	20				9	G1¼B	68	78	0.90			
VXG44.25-10	25				11	G1½B	105	52.5	71	81	1.30	
VXG44.32-16	32	G2B	77.5	87.5		1.74						
VXG44.40-25	40	G2½B	65	80.5		90.5			2.39			

ALG..			G	Rp		
			["]	["]		
	ALG152	VVG44.15...	ALG153	VXG44.15...	G1	Rp½
	ALG202	VVG44.20-6.3	ALG203	VXG44.20-6.3	G1¼	Rp¾
	ALG252	VVG44.25-10	ALG253	VXG44.25-10	G1½	Rp1